



UNIVERSA  
UNIVERSIS  
PATAVINA  
LIBERTAS

# UNIVERSITÀ DEGLI STUDI DI PADOVA

DIPARTIMENTO DI INGEGNERIA CIVILE, EDILE E AMBIENTALE  
*Laboratorio Sperimentale per le Prove sui Materiali da Costruzione*  
DEPARTMENT OF CIVIL, ENVIRONMENTAL AND ARCHITECTURAL ENGINEERING  
*Building materials testing Laboratory*

*Sede: via Marzolo n. 11/A - 35131 PADOVA*  
*Segreteria: +39.049.827.5607*

*Fax: +39.049.827.5587*  
*e-mail: lab.materiali@dicea.unipd.it*

## TEST REPORT N. 34746

Page 1/2

- Applicant:** Eterno Ivica S.r.l., via Austria Z.I. n. 25/E - Padova
- Application:** Received at 29/06/2012
- Material:** 3 samples of pedestal "ETERNO SE3" series, received at 29/06/2012
- Required test:** Measure the maximum compressive eccentric load of the specimen and the displacement of the testing machine's crossbar.
- Testing method:** The compression tests were made for all the 3 samples. The components of the pedestal had been assembled and the four tabs removed, the height of pedestal was regulated to the medium stroke of the screw (97.5 mm).  
Testing speed set to 10 mm/min (checking movement of moving crossbar of the universal testing machine Galdabini, type Sun/60, with a load capacity of 600 kN).  
The load applied with hardened steel plate on the base of specimen and a steel rectangular prism on the top of the pedestal with an eccentricity of 27.5 mm.  
The values of maximum load ( $F_{max}$ ) are the values of load at first failure/rupture.  
The testing machine's certificate of calibration is n°036-12F about Calibration centre LAT n° 34 with due data January 19<sup>th</sup>, 2013.  
Test activities were carried out on October 15<sup>th</sup>, 2012.  
For any technical and dimensional detail, assembling scheme and any other information not included in this document, brochures and technical data sheets are at Applicant's disposal.

### Test Result

Specimen	Max Load $F_{max}$ [kN]	Stroke at $F_{max}$ [mm]
1	15.28	6.8
2	13.63	6.0
3	16.79	5.4

Padova, November 28th, 2012

Laboratory Chief  
(Prof. **Claudio Modena**)

Department Chief  
(Prof. **Carmelo Majorana**)



UNIVERSA  
UNIVERSIS  
PATAVINA  
LIBERTAS

# UNIVERSITÀ DEGLI STUDI DI PADOVA

DIPARTIMENTO DI INGEGNERIA CIVILE, EDILE E AMBIENTALE  
*Laboratorio Sperimentale per le Prove sui Materiali da Costruzione*  
DEPARTMENT OF CIVIL, ENVIRONMENTAL AND ARCHITECTURAL ENGINEERING  
*Building materials testing Laboratory*

Sede: via Marzolo n. 11/A - 35131 PADOVA  
Segreteria: +39.049.827.5607

Fax: +39.049.827.5587  
e-mail: lab.materiali@dicea.unipd.it

## TEST REPORT N. 34746

Page 2/2

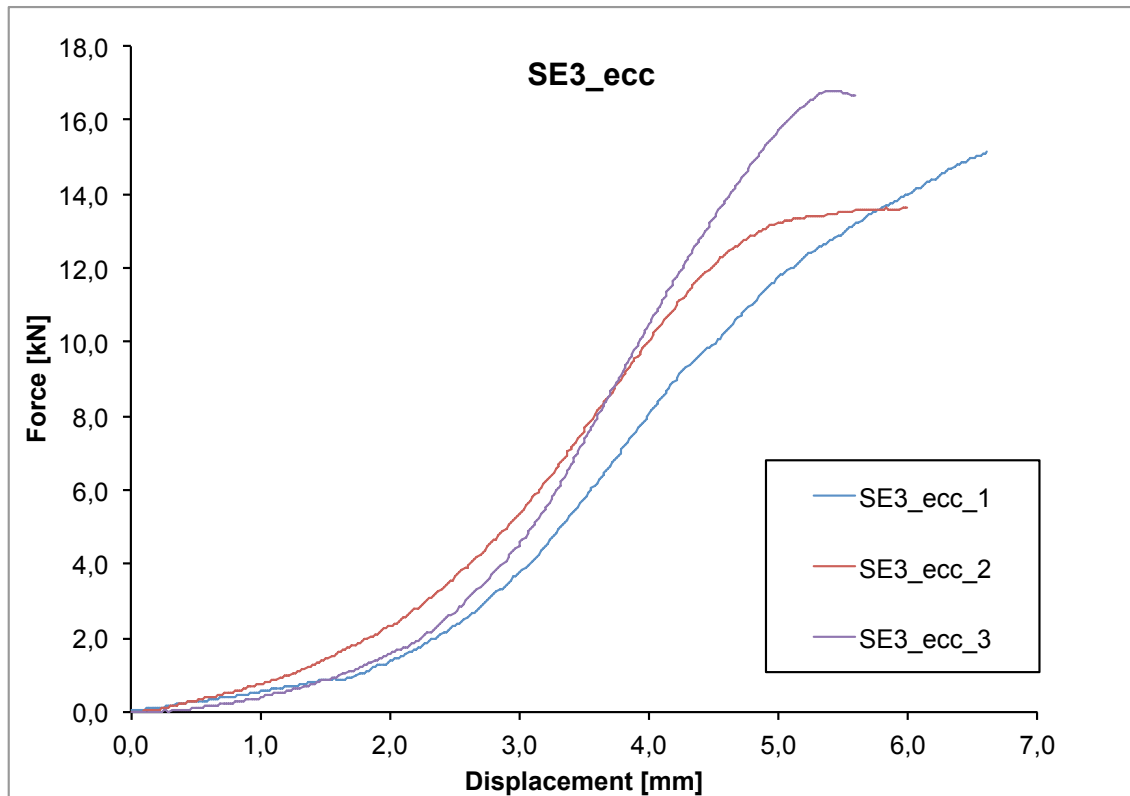


Figure 1 Diagram force versus displacement of testing machine's crossbar for "ETERNO SE3" specimen.

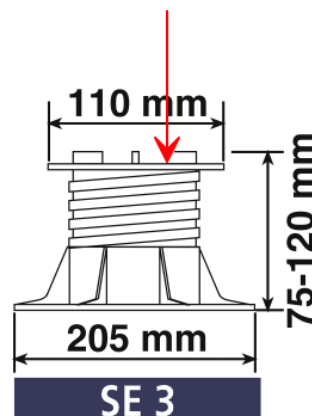


Figure 2 Typical "ETERNO SE3" specimen.

The annex A (report n. 35342) contains explanation about specimens.

Padova, November 28th, 2012

Laboratory Chief  
(Prof. **Claudio Modena**)

Department Chief  
(Prof. **Carmelo Majorana**)