



UNIVERSA  
UNIVERSIS  
PATAVINA  
LIBERTAS

# UNIVERSITÀ DEGLI STUDI DI PADOVA

DIPARTIMENTO DI INGEGNERIA CIVILE, EDILE E AMBIENTALE  
*Laboratorio Sperimentale per le Prove sui Materiali da Costruzione*  
DEPARTMENT OF CIVIL, ENVIRONMENTAL AND ARCHITECTURAL ENGINEERING  
*Building materials testing Laboratory*

*Sede: via Marzolo n. 11/A - 35131 PADOVA*  
*Segreteria: +39.049.827.5607*

*Fax: +39.049.827.5587*  
*e-mail: lab.materiali@dicea.unipd.it*

## TEST REPORT N. 35382

Page 1/2

**Applicant:** Eterno Ivica S.r.l., via Austria Z.I. n. 25/E - Padova

**Application:** Received at 22/01/2013

**Material:** 3 samples of pedestal "SUPPORT BASIC SB4" series, received at 22/01/2013

**Required test:** Measure the maximum compressive load of the specimen and the displacement of the testing machine's crossbar.

**Testing method:** The compression tests were made for all the 3 samples. The components of the pedestal had been assembled, the height of pedestal was regulated to the medium stroke of the screw (95.0 mm).  
Testing speed set to 10 mm/min (checking movement of moving crossbar of the universal testing machine Galdabini, type Sun/60, with a load capacity of 600 kN).  
The load applied with two hardened steel plate at the centred on the pedestal.  
The values of maximum load ( $F_{max}$ ) are the values of load at first failure/rupture.  
The testing machine's certificate of calibration is n°020-13F about Calibration centre LAT n° 34 with due data January 15<sup>th</sup>, 2014.  
Test activities were carried out on April 3<sup>rd</sup>, 2013.  
For any technical and dimensional detail, assembling scheme and any other information not included in this document, brochures and technical data sheets are at Applicant's disposal.

### Test Result

Specimen	Max Load $F_{max}$ [kN]	Stroke at $F_{max}$ [mm]
1	19.19	3.2
2	19.23	3.1
3	19.23	3.1

Padova, May 2<sup>nd</sup>, 2013

Laboratory Chief  
(Prof. **Claudio Modena**)

Department Chief  
(Prof. **Carmelo Majorana**)



## TEST REPORT N. 35382

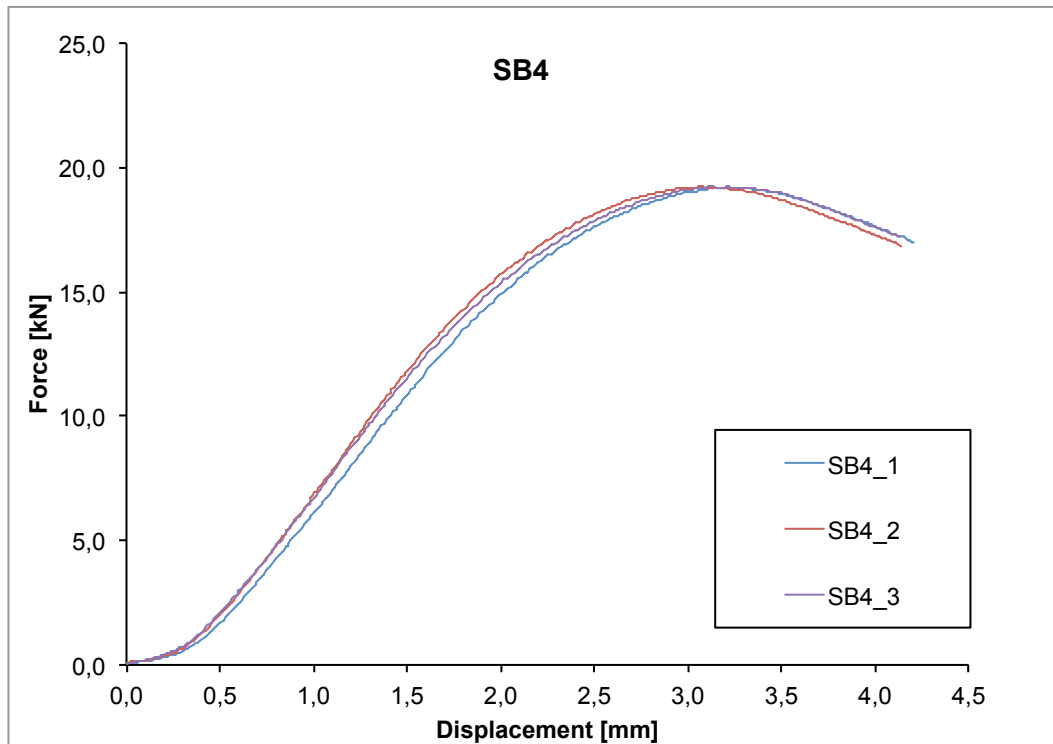


Figure 1 Diagram force versus displacement of testing machine's crossbar for "SUPPORT BASIC SB4" specimen.

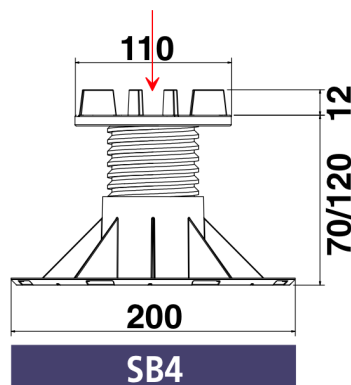


Figure 2 Typical "SUPPORT BASIC SB4" specimen.

Padova, May 2<sup>nd</sup>, 2013

Laboratory Chief  
(Prof. **Claudio Modena**)

Department Chief  
(Prof. **Carmelo Majorana**)